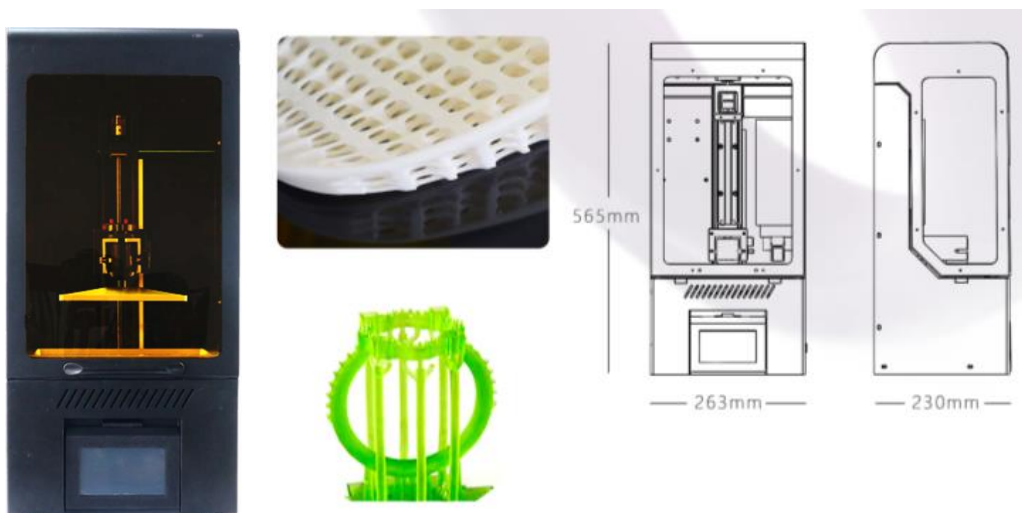


LCD 3D Printer

CubeX P6.0

Leading technology light-cured 3D printer, CubeX P6.0R is our new designed 3D printer, imported lighting system, imported screw module, high acutance, 128 line motor, making Z axis stable and accurate. Use 3.5" TFT touch panel, U disk to print or WiFi network print and control, auto feed system. Software developed by ourself, changing data on line, support svg, b9j, cws files to print.

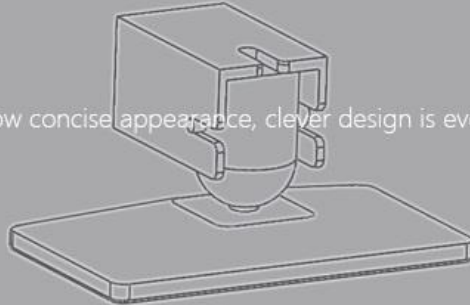


Tech Specs

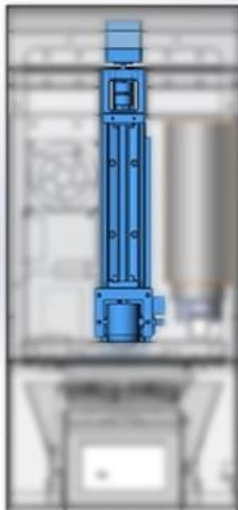
Printing		LCD panel	
Technology	UV LCD	Panel size	6in
Build volume	130×72.5×170mm 5.1×2.8×6.7in	Resolution	2560*1440 489.5PPI
Layer thickness	25/50/100 microns	Pixel size	51.75 microns
Print Speed	10-35mm/h	Light source	
Touchscreen	3.5in Color IPS 480 x 320	UV LED (Wavelength 405nm)	
Connectivity	Wi-Fi, Ethernet, USB	Electrical	
Software		Power	48w
Software bundle	X-Studio	Voltage	AC Input:100-250V50/60Hz DC Worinking: 24V 2A
Supported file types	.stl,slc,b9j,svg,cws	Weight & physical dimensions	
Supported software	Nonadlp,B9Creator &CreationWorkshop	Device Dimensions	210x210x420 mm
Supported operating systems	Windows 7&up	Shipping weight	19kg
Application		Net weight	15kg
Industry,Design, Education, ACG, Medicine, Dental, Jewelry			

Feature

Below concise appearance, clever design is everywhere



just three steps
New leveling structure
Simplify the leveling process



It is proved by experiments that the upper motor can effectively reduce the resonance and improve the printing precision. The operating noise is also less than x-8.9.

* X-8.9 and X-6.0 use the same type of screw



Quick-release resin tank



Automatic fill resin



Resin recycling



Multilingual minimalist interface
4.3inch Color touch screen



Touch screen can rotate 60 °



Print Search IP address Set Ddeveloping



Inside and outside diameter compensation / Print parameters are adjusted in real time / Support for multiple formats

Powerful slicing software

The precision of a quasi-industrial machine can be experienced by fine tuning

Error less than 0.05mm after debugging



Compatible with mainstream
slicing software

NANODLP

